

Tlmiče, manometre, spojky

Silencers - Manometers - Couplings



Funkcie

- ▶ tlmiče pre rôzne aplikácie
- ▶ univerzálne nádržky pre rôzne materiály
- ▶ pre pripojenie od M5 do G1"
- ▶ redukcia hluku

- ▶ Silencer for various applications
- ▶ Versatile tanks to various materials
- ▶ Connection sizes from M5 to G1"
- ▶ Reduction of noise level

Technické údaje **Technical data**

Tlmiče **Silencer**

Pracovná teplota	-20°C až +70°C
Pracovný tlak	až 12bar
Materiály	Spekaný bronz (36µm) Mosadz (Ms58) Nerez (AISI 304)
Závit	Valcový závit DIN EN ISO 228 metr. závit DIN ISO 262
Médium	Stlačený vzduch
Operating temperature	-20°C bis +70°C
Operating pressure	Up to 12 bar
Materials	Sintered bronze (36µm) Brass (Ms58) Stainless steel (AISI 304)
Thread	Cyl. thread, DIN EN ISO 228 Metr. thread, DIN ISO 262
Medium	Compressed air

Manometer **Manometre**

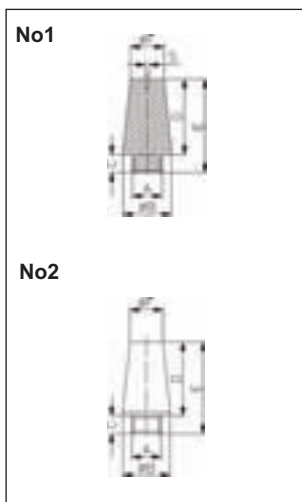
Pracovná teplota	-40°C až +60°C
Pracovný tlak	max. 0-60bar
Materialy	Plastové telo Plastové skličko Nerez (AISI 304) Mosadzná koncovka
Závit	G1/8" a G1/4" Pripojenie zdola alebo zo zadu
Veľkosti	40, 50, 63
Medium	Plynné, kvapalné, neviskózne a nekryštalizácke meracie prostriedky, ktoré nenapadá zliatina medi

Ambient temperature	-40°C to +60°C
Display ranges	Various, max. 0-60 bar
Materials	Plastic housing Plastic inspection glass Stainless steel (AISI 304) Brass connection
Thread	G1/8" and G1/4" Connection on the back or underneath
Nominal sizes	40, 50, 63
Medium	Gaseous, liquid, non-viscous and non-crystallising measuring agents that do not attack the copper base alloys

Spojky Coupling

Pracovní teplota	-20°C až +100°C
Pracovní tlak	až max. 35 bar
Materiály	Mosadz (Ms58) Nerezová pružina a krúžok Perbunanové tesnenie
Veľkosti	DN 5 a DN 7,2
Závit	Valcový závit DIN EN ISO 228 Kužeľový závit DIN EN 10226 (DIN 2999)
Medium	Stlačený vzduch, voda

Operating temperature	-20°C bis +100°C
Operating pressure	Up to max. 35 bar
Materials	Brass body (Ms58) Stainless steel springs and snap rings Perbunan seal
Nominal sizes	DN 5 and DN 7.2 Unilateral seal
Závit	zyl. Gew. DIN EN ISO 228 kon. Gew. DIN EN 10226 (DIN 2999)
Thread	Cyl. thread, DIN EN ISO 228 Con. thread, DIN EN 10226 (DIN 2999)

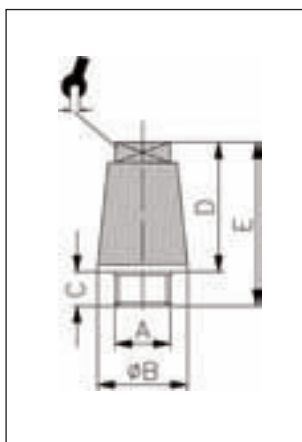


SC

Tlmič hluku

Silencer

VT	A	ØB	C	D	E	ØF	S	■	No
303002	G1/8	11	5,5	15,5	21	8	1,5	100	1
303003	G1/4	14	8,5	18,5	27	10	1,5	50	1
303004	G3/8	18	11	25	36	15	2	50	1
303005	G1/2	24	11	33	44	19	2	50	1
303012	G1/8	12	6	15	21	8		100	2
303013	G1/4	15	6	19	25	11		50	2
303014	G3/8	19	8	28	36	15		50	2
303015	G1/2	23	10	33	43	18		50	2
303016	G3/4	30	13	40	53	23		25	2
303017	G1	38	15	48	63	28		10	2
303018	M5	6	4,5	8,5	13	5		100	2
303019	IG1/8	12	6	15	23	8		50	2

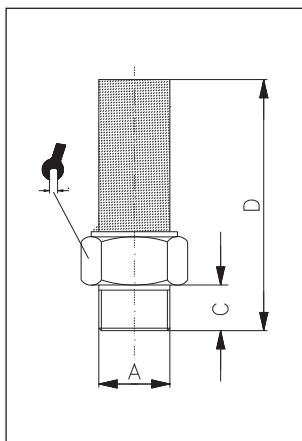


SCQ

Tlmič hluku

Silencer

VT	A	ØB	C	D	E	■	■
303022	G ¹ / ₈	12	6	15	21	7	50
303023	G ¹ / ₄	15	6	19	25	8	50
303024	G ³ / ₈	19	8	28	36	10	50
303025	G ¹ / ₂	23	10	33	43	14	50
303026	G ³ / ₄	30	13	40	53	16	50
303027	G1	38	15	48	63	20	50
303028	M5	12	6	15	21	7	100

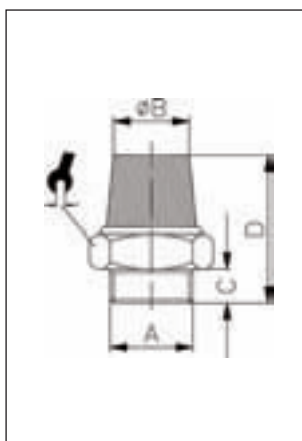


SEX

Tlmič hluku nerezový

Silencer - INOX

VT	A	C	D	■	■
303152	G ¹ / ₈	6	25	13	50
303153	G ¹ / ₄	8	33	16	50
303154	G ³ / ₈	9	40	19	50
303155	G ¹ / ₂	10	47	24	50
303156	G ³ / ₄	10	56	30	50
303157	G1	15	64	36	50
303158	M5	3,5	16	8	50

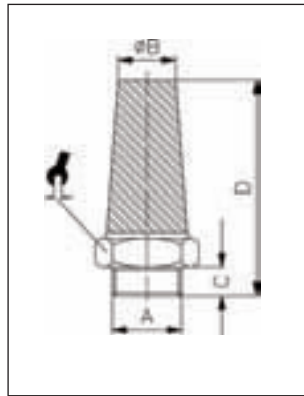


SEM

Tlmič hluku

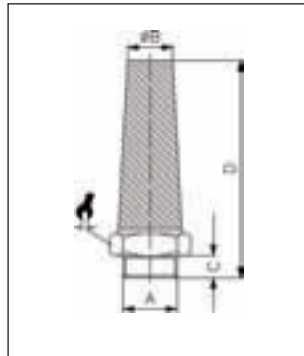
Silencer

VT	A	ØB	C	D	■	■
303042	G ¹ / ₈	8	6	20	13	50
303043	G ¹ / ₄	11	8	25	16	50
303044	G ³ / ₈	13,5	9	29	19	50
303045	G ¹ / ₂	17	11	35	24	50
303046	G ³ / ₄	22	13	39	30	50
303047	G1	29	15	45	36	50
303048	M5	5	4	15	8	50
303049	IG ¹ / ₈	8	6	20	13	50



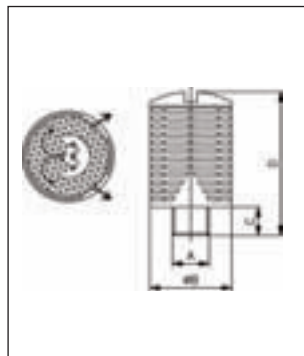
SE
Tlmič hluku
Silencer

VT	A	ØB	C	D		
303052	G ¹ / ₈	7	6	29	13	50
303053	G ¹ / ₄	9	8	32	16	50
303054	G ³ / ₈	13	9	43	19	50
303055	G ¹ / ₂	16	11	53	24	50
303056	G ³ / ₄	20	13	53	30	50
303057	G1	25	15	66	36	50
303058	M5	5	4	22	8	100
303059	IG ¹ / ₈	7	6	29	13	50



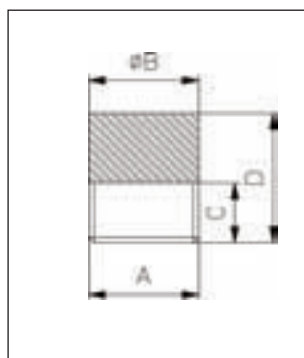
SEA
Tlmič hluku
Silencer

VT	A	ØB	C	D		
303062	G ¹ / ₈	7	6	43	13	50
303063	G ¹ / ₄	9	8	51	16	50
303064	G ³ / ₈	10	9	56	19	50
303065	G ¹ / ₂	13	11	68	24	50
303066	G ³ / ₄	17	13	70	30	50
303067	G1	28	15	82	36	50
303069	IG ¹ / ₈	7	6	43	13	50



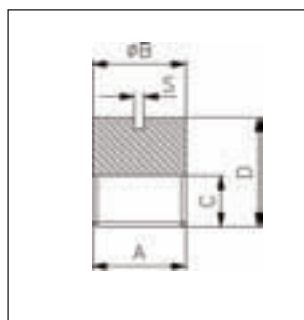
SPL
Plastový tlmič hluku
Silencer, plastic

VT	A	ØB	C	D	
303112	G ¹ / ₈	15	6	32,5	50
303113	G ¹ / ₄	19,5	8	43	50
303114	G ³ / ₈	24,5	11	58	50
303115	G ¹ / ₂	24,5	11	58	50
303116	G ³ / ₄	48	18	115	50
303117	G1	48	18	115	50
303119	IG1/8	15	6	32,5	50



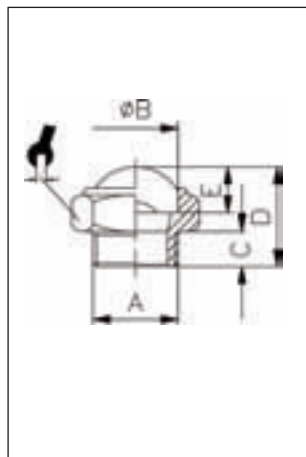
ST
Tlmič hluku
Silencer

VT	A	ØB	C	D	
303082	G ¹ / ₈	10	6	13	50
303083	G ¹ / ₄	13	6	13	50
303084	G ³ / ₈	17	7	18	50
303085	G ¹ / ₂	21	10	18	50
303086	G ³ / ₄	26	13	22	25
303087	G1	33	14	23	25



STT
Tlmič hluku
Silencer

VT	A	ØB	C	D	S	
303092	G ¹ / ₈	10	6	12	1,5	50
303093	G ¹ / ₄	13	6	15	1,5	50
303094	G ³ / ₈	17	7	17	1,5	50
303095	G ¹ / ₂	21	10	20	1,5	50
303096	G ³ / ₄	26	13	22	1,5	25
303097	G1	33	14	25	1,5	25

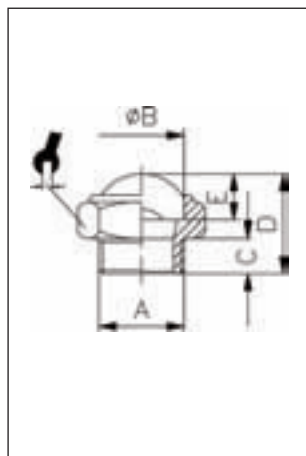


SFE

Tlmič hluku

Silencer

VT	A	ØB	C	D	E		
303101	G ¹ / ₈	11	6	16	4	13	50 vernickelt
303102	G ¹ / ₈	11	6	16	4	13	50
303103	G ¹ / ₄	14	8	19	4	16	50
303104	G ³ / ₈	17	9	21	4	19	50
303105	G ¹ / ₂	22	10	23	4	24	50
303106	G ³ / ₄	28	10	27	4	30	50
303107	G1	34	15	29	4	36	50
303108	M5	6,5	3,5	8	3	8	100
303109	IG ¹ / ₈	12	6	20	4	14	50

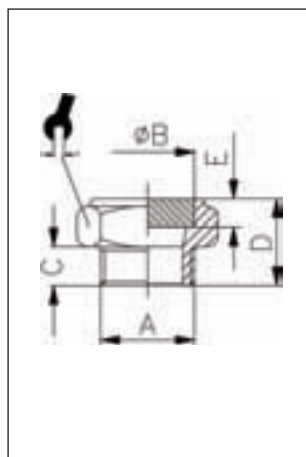


SFEX

Tlmič hluku nerezový

Silencer - INOX

VT	A	ØB	C	D	E		
303162	G ¹ / ₈	11	6	16	4	13	50
303163	G ¹ / ₄	14	8	19	4	16	50
303164	G ³ / ₈	17	9	21	4	19	50
303165	G ¹ / ₂	22	10	23	4	24	50
303166	G ³ / ₄	28	10	27	4	30	25
303167	G1	34	15	29	4	36	25
303168	M5	6,5	3,5	8	3	8	100

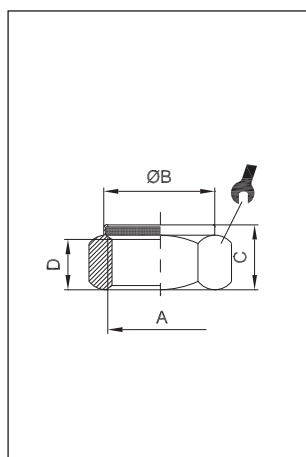


SEP

Tlmič hluku

Silencer

VT	A	ØB	C	D	E		
303032	G ¹ / ₈	11	6	13	4	13	50
303033	G ¹ / ₄	14	8	16	4	16	50
303034	G ³ / ₈	17	9	18	4	19	50
303035	G ¹ / ₂	22	11	20	4	24	50
303036	G ³ / ₄	28	13	24	4	30	25
303037	G1	34	15	27	4	36	25
303038	M5	6,5	3,5	8	3	8	100
303039	IG1/8	11	6	13	4	13	50

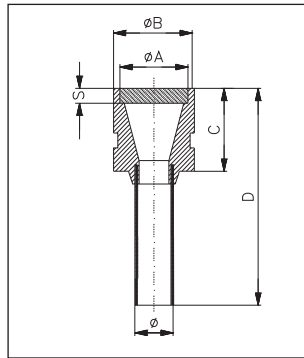


SEF

Tlmič hluku

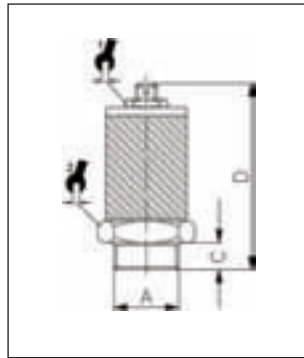
Silencer

VT	A	ØB	C	D		
303142	G ¹ / ₈	11	10,5	6	13	50
303143	G ¹ / ₄	14	11	6	16	50
303144	G ³ / ₈	17	12	7,5	19	50
303145	G ¹ / ₂	22	13	8	24	50
303146	M5	3,5	7,5	4	-	100



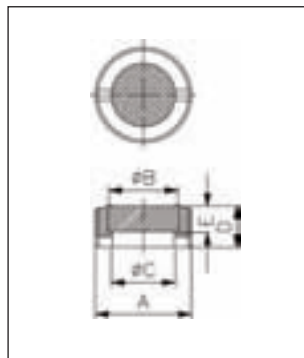
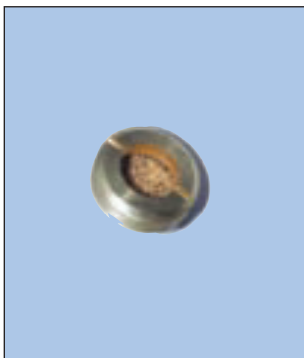
SR
Tlmič hluku
Silencer

VT	Ø	ØA	ØB	C	D	S	
303181	4	5	7	10	38	3	100
303182	5	5	7	10	42	3	100
303183	6	6	8	10	44	3	100
303184	8	8	10	14	44	4	50
303185	10	10	12	14	50	4	50
303186	12	11	14	16	60	4	50
303187	14	14	16	19	65	4	25



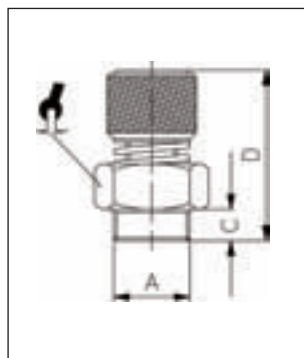
SVL
Tlmič hluku
Silencer

VT	A	C	D _{min.}	D _{max.}			
303132	G _{1/8}	8	38	44	10	16	50
303133	G _{1/4}	9	39	45	10	16	50
303134	G _{3/8}	10	47	60	10	22	50
303135	G _{1/2}	11	48	61	10	22	50
303136	G _{3/4}	11	68	92	13	30	25
303137	G1	11	68	92	13	36	25
303138	M5	3,5	16	21	6	8	100



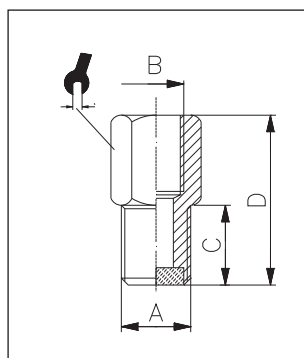
SP
Tlmič hluku
Silencer

VT	A	ØB	C	D	E	
303072	G _{1/8}	6	5	4	3	100
303073	G _{1/4}	8	6	6	3	100
303074	G _{3/8}	10	8	7	3	50
303075	G _{1/2}	15	12	9	4	50
303076	G _{3/4}	20	17	8,5	4	25
303077	G1	26	23	10	4	25



SVE
Tlmič hluku
Silencer

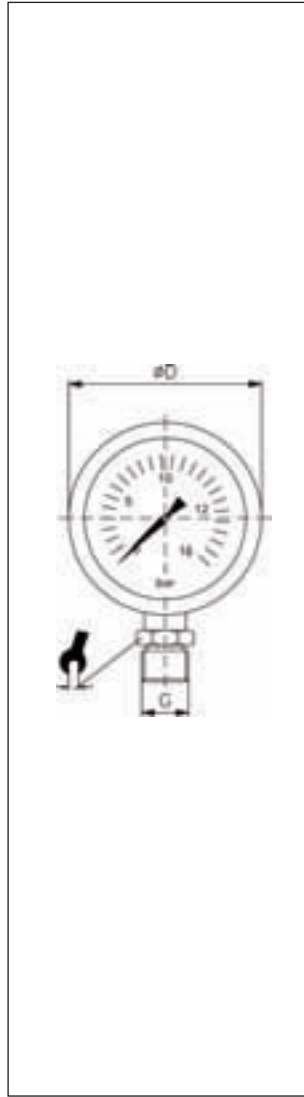
VT	A	C	D _{min.}	D _{max.}		
303122	G _{1/8}	6	26	28	13	50
303123	G _{1/4}	8	30	32	15	50
303124	G _{3/8}	10	35	38	18	50
303125	G _{1/2}	11	36	39	22	25
303126	G _{3/4}	12	45	50	30	25
303127	G1	12	45	50	36	25



AM
Tlmič hluku
Silencer

VT	A	B	C	D		
303172	G _{1/8}	G _{1/8}	10	25	14	50
303173	G _{1/4}	G _{1/4}	15	36	19	50
303174	G _{3/8}	G _{3/8}	27	45	27	25
303175	G _{1/2}	G _{1/2}	27	50	30	25

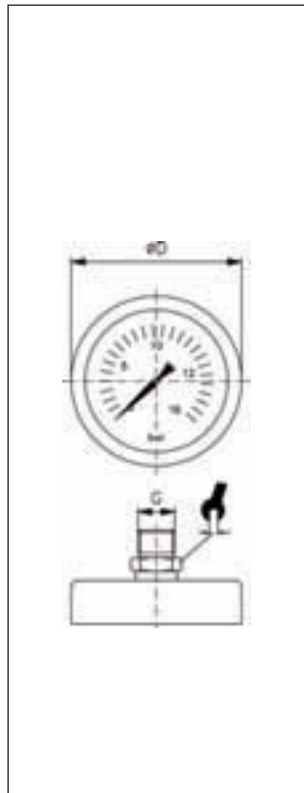
Tlmič



Manometer

Manometer

VT	G	ØD	bar	■
301011	G ^{1/8}	40	0 - 1,6	1
301012	G ^{1/8}	40	0 - 2,5	1
301013	G ^{1/8}	40	0 - 4	1
301014	G ^{1/8}	40	0 - 6	1
301015	G ^{1/8}	40	0 - 10	1
301016	G ^{1/8}	40	0 - 16	1
301017	G ^{1/8}	40	0 - 25	1
301315	G ^{1/8}	50	0 - 10	1
301316	G ^{1/8}	50	0 - 16	1
301061	G ^{1/4}	50	0 - 1,6	1
301062	G ^{1/4}	50	0 - 2,5	1
301063	G ^{1/4}	50	0 - 4	1
301064	G ^{1/4}	50	0 - 6	1
301065	G ^{1/4}	50	0 - 10	1
301066	G ^{1/4}	50	0 - 16	1
301067	G ^{1/4}	50	0 - 25	1
301109	G ^{1/4}	63	0 - 0,6	1
301110	G ^{1/4}	63	0 - 1	1
301111	G ^{1/4}	63	0 - 1,6	1
301112	G ^{1/4}	63	0 - 2,5	1
301113	G ^{1/4}	63	0 - 4	1
301114	G ^{1/4}	63	0 - 6	1
301115	G ^{1/4}	63	0 - 10	1
301116	G ^{1/4}	63	0 - 16	1
301117	G ^{1/4}	63	0 - 25	1
301118	G ^{1/4}	63	0 - 40	1
301119	G ^{1/4}	63	0 - 60	1



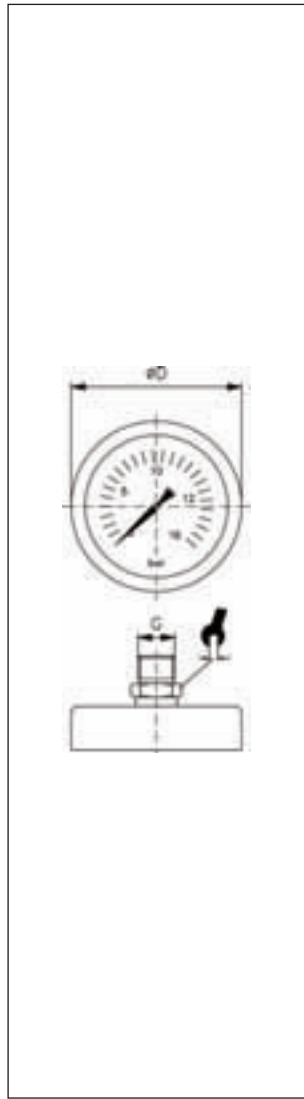
Manometer


Manometer

VT	G	ØD	bar	■
301027	G ^{1/8}	40	-1 - 0	1
301436	G ^{1/8}	40	0 - 1,6	1
301037	G ^{1/8}	40	0 - 2,5	1
301038	G ^{1/8}	40	0 - 4	1
301439	G ^{1/8}	40	0 - 6	1
301440	G ^{1/8}	40	0 - 10	1
301441	G ^{1/8}	40	0 - 16	1
301042	G ^{1/8}	40	0 - 25	1
301640	G ^{1/8}	50	0 - 10	1
301341	G ^{1/8}	50	0 - 16	1

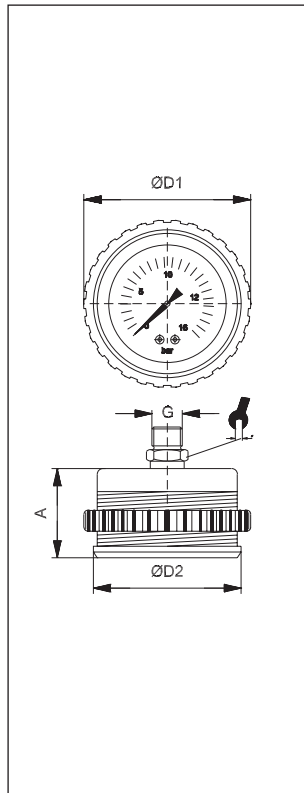
Manometer

Manometer





VT	G	ØD	bar	
301077	G ^{1/4}	50	-1 - 0	1
301086	G ^{1/4}	50	0 - 1,6	1
301087	G ^{1/4}	50	0 - 2,5	1
301488	G ^{1/4}	50	0 - 4	1
301089	G ^{1/4}	50	0 - 6	1
301490	G ^{1/4}	50	0 - 10	1
301491	G ^{1/4}	50	0 - 16	1
301092	G ^{1/4}	50	0 - 25	1
301127	G ^{1/4}	63	-1 - 0	1
301134	G ^{1/4}	63	0 - 0,6	1
301136	G ^{1/4}	63	0 - 1,6	1
301137	G ^{1/4}	63	0 - 2,5	1
301138	G ^{1/4}	63	0 - 4	1
301139	G ^{1/4}	63	0 - 6	1
301140	G ^{1/4}	63	0 - 10	1
301141	G ^{1/4}	63	0 - 16	1
301142	G ^{1/4}	63	0 - 25	1

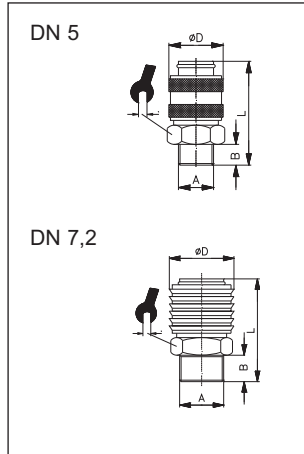
Manometer



Manometer

Manometer

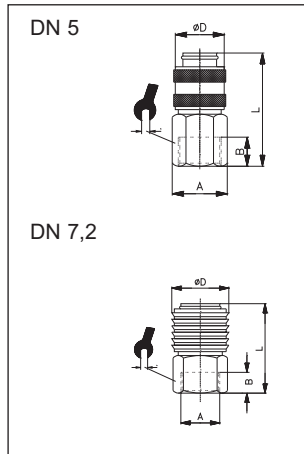
VT	G	ØD1	ØD2	A	bar		
301507	G ^{1/4}	60	50	32,5	0 - 10	14	1
301508	G ^{1/4}	60	50	32,5	0 - 16	14	1
301517	G ^{1/4}	71,5	63	31,7	0 - 10	14	1
301518	G ^{1/4}	71,5	63	31,7	0 - 16	14	1



Rýchlospojka samica s vonkajším závitom

Coupling male

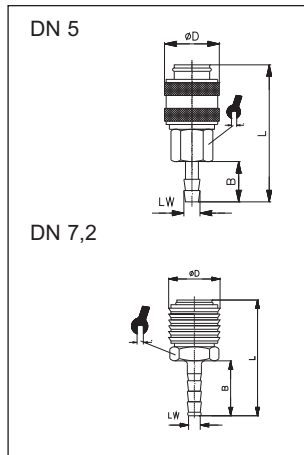
VT	DN	A	B	ØD	L		
430202	5	G ^{1/8}	7	16	36	14	10
430203	5	G ^{1/4}	9	16	38	17	10
430204	5	G ^{3/8}	9	16	38	19	5
430002	7,2	G ^{1/8}	9	27	43	22	5
430003	7,2	G ^{1/4}	9	27	43	22	5
430004	7,2	G ^{3/8}	9	27	43	22	5
430005	7,2	G ^{1/2}	12	27	46	22	5



Rýchlospojka samica s vnútorným závitom

Coupling female

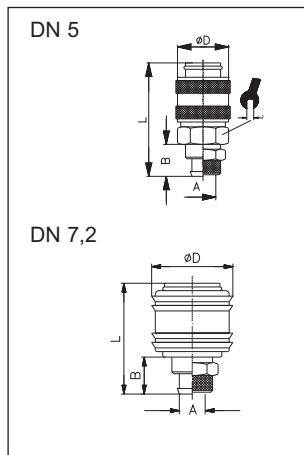
VT	DN	A	B	ØD	L		
430212	5	G ^{1/8}	7	16	36	14	10
430213	5	G ^{1/4}	9	16	38	17	10
430214	5	G ^{3/8}	9	16	38	19	5
430013	7,2	G ^{1/4}	9	27	43	22	10
430014	7,2	G ^{3/8}	9	27	43	22	5
430015	7,2	G ^{1/2}	12	27	46	24	5



Rýchlospojka samica s nátrubkom

Coupling with adaptor

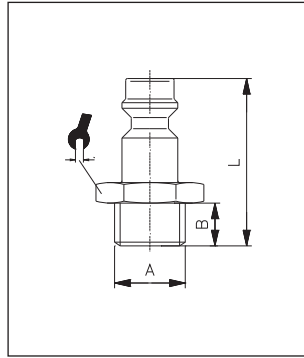
VT	DN	LW	B	ØD	L		
430222	5	4	17	16	46	14	10
430223	5	6	17	16	46	14	10
430224	5	8	17	16	46	14	10
430225	5	9	17	16	46	14	10
430226	5	10	17	16	46	14	10
430023	7,2	6	25	27	60	21	10
430024	7,2	8	25	27	60	21	10
430025	7,2	9	25	27	60	21	10
430026	7,2	10	25	27	60	21	10
430027	7,2	13	25	27	60	21	10



Rýchlospojka samica pre PA trúbky

Coupling for plastic hose

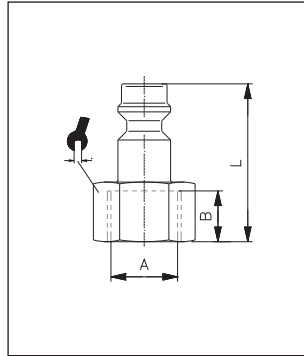
VT	DN	A	B	ØD	L		
430233	5	4x6	13	16	41	14	10
430234	5	6x8	13	16	41	14	10
430073	7,2	6x8	13	27	51	21	10
430074	7,2	8x10	17	27	56	21	10
430075	7,2	9x12	17	27	56	21	10



Rýchlospojka samec s vonkajším závitom

Coupling male

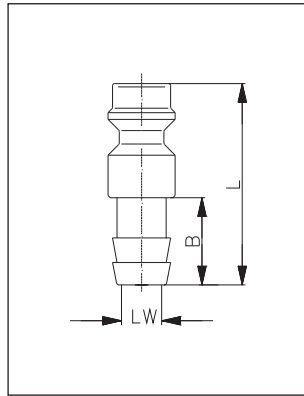
VT	DN	A	B	L		
430262	5	G ¹ / ₈	7	25	14	100
430263	5	G ¹ / ₄	9	28	17	100
430264	5	G ³ / ₈	9	28	19	50
430052	7,2	G ¹ / ₈	7	31	14	100
430053	7,2	G ¹ / ₄	9	33	17	100
430054	7,2	G ³ / ₈	9	33	19	50
430055	7,2	G ¹ / ₂	12	38	22	50



Rýchlospojka samec s vnútorným závitom

Coupling female

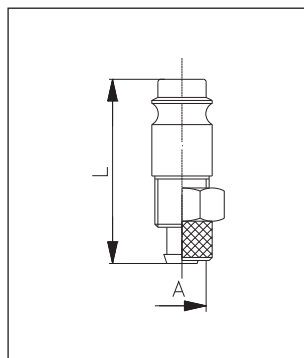
VT	DN	A	B	L		
430272	5	G ¹ / ₈	8	25	14	100
430273	5	G ¹ / ₄	9	26	17	100
430274	5	G ³ / ₈	9	27	19	50
430042	7,2	G ¹ / ₈	7	30	14	100
430043	7,2	G ¹ / ₄	10	33	17	100
430044	7,2	G ³ / ₈	10	33	19	50
430045	7,2	G ¹ / ₂	12	36	24	50



Rýchlospojka samec s nátrubkom

Coupling with adaptor

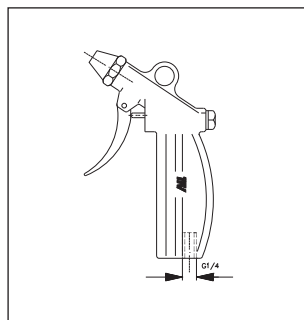
VT	DN	LW	B	L	
430242	5	4	17	32	100
430243	5	6	16,5	32	100
430244	5	8	17	32	100
430245	5	9	17	32	100
430033	7,2	6	24	44	100
430034	7,2	8	24	44	100
430035	7,2	9	23	44	100
430036	7,2	10	23	44	50
430037	7,2	13	23	44	50



Spojka pre plastové hadice

Coupling for plastic hose

VT	DN	A	L	
430253	5	4x6	32	100
430254	5	6x8	32	100
430063	7,2	4x6	34	100
430064	7,2	6x8	34	100
430065	7,2	8x10	42	50
430066	7,2	9x12	42	50



Ofukovacia pištoľ

blowing gun

VT	x Düse	
450001	1,5	1

Connection G1/4, female